

Elevator Traction Machine

Machines for machine-roomless elevators

HIWIN gearless synchronous motors have a very compact design and are the best solution for machine-roomless elevators.

Due to extremely quiet running, excellent controllability, and the very attractive design HIWIN elevator machines are the best solution for modern elevators.

Characteristics

- Gearless synchronous motor
- Compact design
- Very quiet running
- Sheaves from 200mm diameter onwards
- Applicable with all common controllers
- Very smooth running

Your benefit

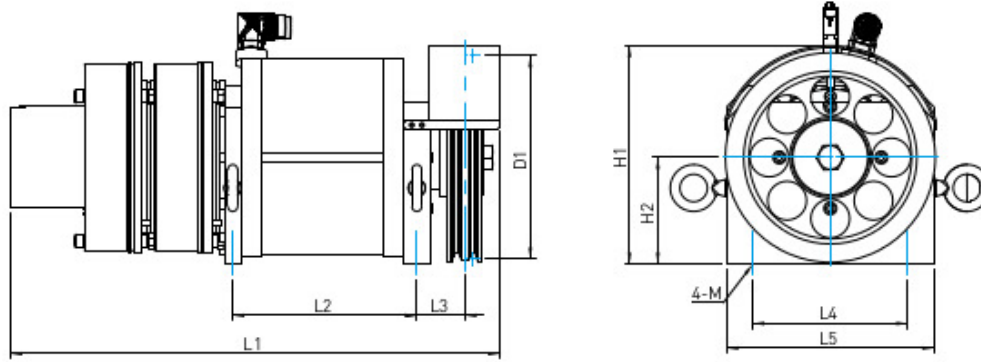
- Cost effective installation
- Space-saving design
- Less energy costs

Applications

- Home and panoramic view elevators
- Modernizing elevator projects
- Freight elevators



Table1.1 Technical data TME3 series

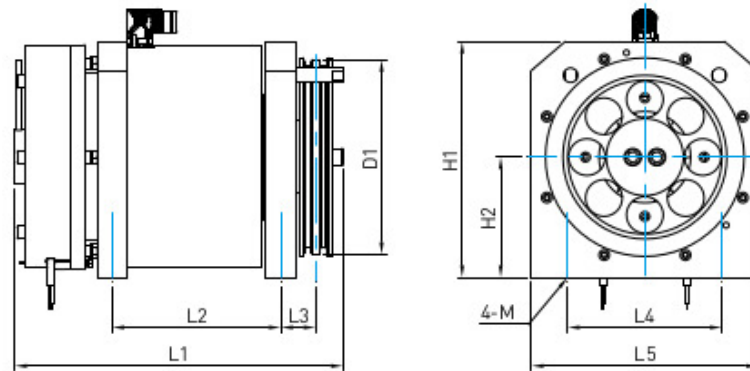


Type	L1 [mm]	L2 [mm]	L3 [mm]	L4 [mm]	L5 [mm]	D1 [mm]	H1 [mm]	H2 [mm]	M	Mass (kg)
TME3C	480	180.8	47	152.4	207	200	215	105	M10	61

Input voltage 220V

Type	MAX. Payload [kg]	Roping	MAX. Speed [m/s]	Rated torque [Nm]	MAX. Shaft load [kg]
TME3C	250	2:1	0.6	80	800

Table1.2 Technical data TME4 series

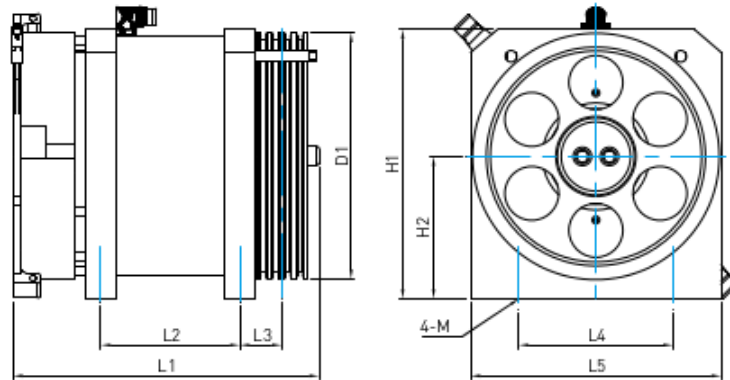


Type	L1 [mm]	L2 [mm]	L3 [mm]	L4 [mm]	L5 [mm]	D1 [mm]	H1 [mm]	H2 [mm]	M	Mass (kg)
TME4A	338	165	36	160	235	200	245	125	M12	80
TME4F	388	215	36	160	235	200	245	125	M12	90

Input voltage 220V

Type	MAX. Payload [kg]	Roping	MAX. Speed [m/s]	Rated torque [Nm]	MAX. Shaft load [kg]
TME4A	450	2:1	0.6	145	1300
TME4F	550	2:1	0.6	180	1300

Table1.3 Technical data TME7



Type	L1 [mm]	L2 [mm]	L3 [mm]	L4 [mm]	L5 [mm]	D1 [mm]	H1 [mm]	H2 [mm]	M	Mass [kg]
TME7A	397	180	55	250	325	320	350	185	M20	150
TME7F	447	230	55	250	325	320	350	185	M20	180

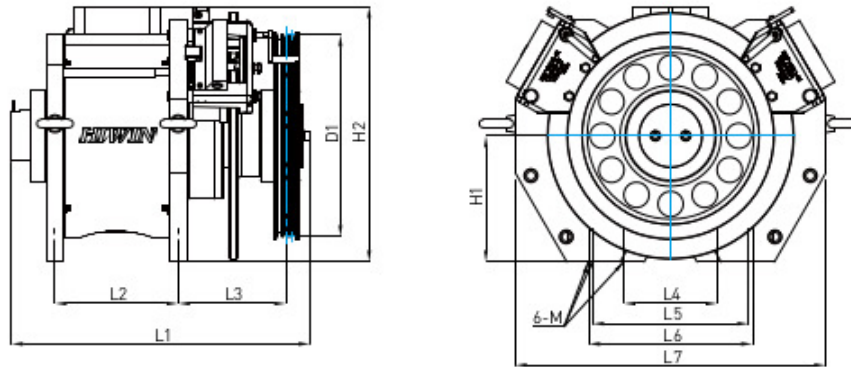
Input voltage 220V

Type	MAX. Payload [kg]	Roping	MAX. Speed [m/s]	Rated torque [Nm]	MAX. Shaft load [kg]
TME7A	500	2:1	0.75	260	2000
TME7F	630	2:1	0.75	330	2000

Input voltage 380V

Type	MAX. Payload [kg]	Roping	MAX. Speed [m/s]	Rated torque [Nm]	MAX. Shaft load [kg]
TME7A	500	2:1	1	260	2000
TME7F	630	2:1	1	330	2000

Table1.4 Technical data TMEA series



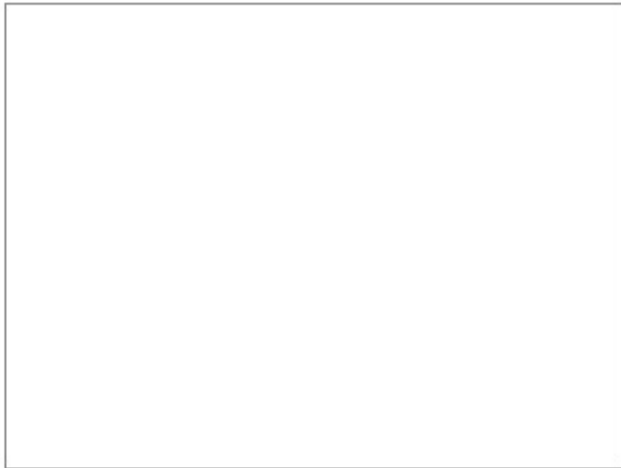
Type	L1 [mm]	L2 [mm]	L3 [mm]	L4 [mm]	L5 [mm]	L6 [mm]	L7 [mm]	D1 [mm]	H1 [mm]	H2 [mm]	M	Mass [kg]
TMEAA	542	194	198.5	185	310	325	615	400	250	505	M20	330
TMEAF	592	244	198.5	185	310	325	615	400	250	505	M20	350

Input voltage 220V

Type	MAX. Payload [kg]	Roping	MAX. Speed [m/s]	Rated torque [Nm]	MAX. Shaft load [kg]
TMEAA	700	2:1	0.75	455	2800
TMEAF	1000	2:1	0.75	650	2800
TMEAF	500	1:1	1.6	650	2800

Input voltage 380V

Type	MAX. Payload [kg]	Roping	MAX. Speed [m/s]	Rated torque [Nm]	MAX. Shaft load [kg]
TMEAA	700	2:1	1	455	2800
TMEAF	1000	2:1	1	650	2800



HIWIN[®]
Motion Control and System Technology



HIWIN MIKROSYSTEM CORP.

No.6, Jingke Central Rd.,
Taichung Precision Machinery Park,
Taichung 40852, Taiwan
Tel : +886-4-23550110
Fax: +886-4-23550123
www.hiwinmikro.com.tw
business@mail.hiwinmikro.com.tw

HIWIN GmbH
OFFENBURG, GERMANY
www.hiwin.de
www.hiwin.eu

HIWIN SCHWEIZ
JONA, SWITZERLAND
www.hiwin.ch

HIWIN S.R.O.
BRNO, CZECH REPUBLIC
www.hiwin.cz

HIWIN FRANCE
L'AIGLE Cedex, FRANCE
www.hiwin.fr

HIWIN USA
CHICAGO · SILICON VALLEY, U.S.A.
www.hiwin.com

HIWIN JAPAN
KOBE · TOKYO · NAGOYA
KUMAMOTO, JAPAN
www.hiwin.co.jp

Mega-Fabs Motion Systems, Ltd.
HAIFA, ISRAEL
www.mega-fabs.com

Matrix Machine Tool (Coventry) Limited
COVENTRY, U.K.
www.matrix-machine.com